

Metal Zinc

HVAC hardware and accessories



Mini Catalog

June 1, 2020

Metal Zinc, LLC
19408 Kenswick Drive, Humble, TX, 77338-8147

www.MetalZincMFG.com

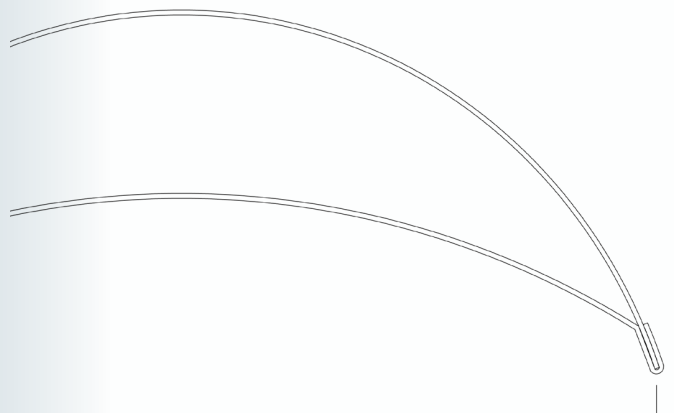
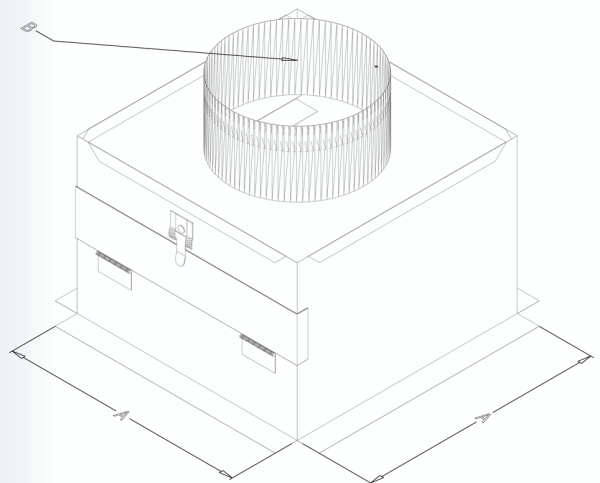
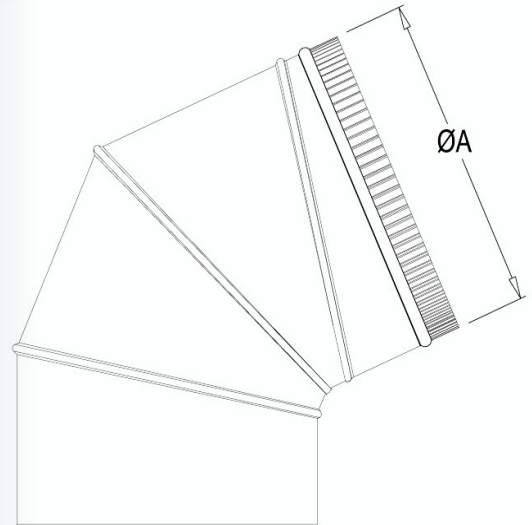
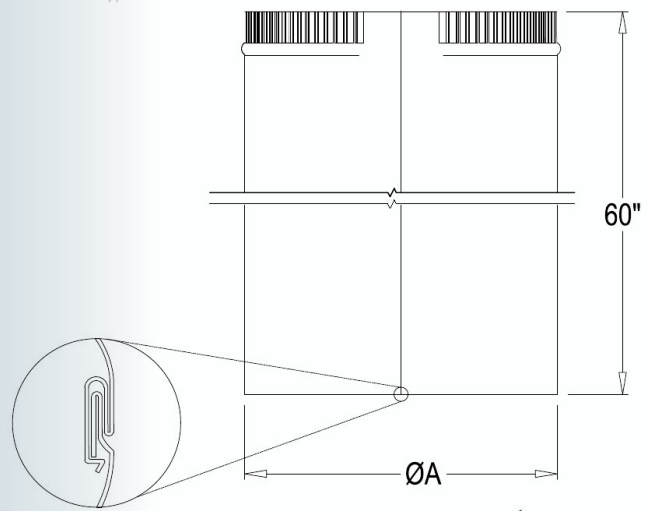


Table of Contents

Pipes and Connectors

1	Snap Lock Pipe
1	Conductor Pipe
1	Adjustable Elbows
2	Spiral Pipe
2	Spiral Elbows
2	High Pressure 90° Gore Elbows
3	High Pressure Reducers
3	High Pressure Couplings
3	High Pressure End Caps

Collars and Taps

4	Duct Board Start Collars
4	Duct Board Start Collars with Damper
4	Sheet Metal Snap Together Start Collars
5	Sheet Metal Assembled Start Collars
5	Sheet Metal Assembled Start Collars with Damper
5	Economy Damper Blades
5	Flex Duct Connectors
6	Heavy Duty Press-on Tap (Airtight)
6	Economy Press-on Tap (Airtight)
6	Press-on Tap (no damper) (Airtight)
6	Heavy Duty Spin-in Tap
6	Economy Spin-in Tap
6	Spin-in Tap (no damper)
7	Bellmouth Collars
7	Heavy Duty Conical Tap
7	Economy Conical Tap

7	Conical Tap No Damper
8	HETO with Damper (Heavy Duty)
8	HETO with Economy Damper
8	HETO without Damper
8	STO with Damper (Heavy Duty)
8	STO with Economy Damper
8	STO without Damper
9	Heavy Duty Saddle Tap
9	Economy Saddle Tap
9	Saddle Tap (no damper)
9	Rectangle on Round (Grill Tap)
9	Heavy Duty Inline Damper

Plenums, Filter Boxes, Racks, Bases and Transitions

10	Dual Filter Return Air Plenum
10	Dual Filter Box
10	Dual Filter Rack
10	Knockdown Plenum
10	Knockdown Transitions
11	Triangles (Metal)
11	Wall Stack

Access Doors

11	Duct Board Access Door
11	Economy Duct Board Access Door
11	Sheet Metal Access Door with Tab Lock Frame

Rails, Drives, Angles and Straps

12	Boot Rail, C-Rail and S-Clip
12	1" Standing ESS
12	1" Standing Drive
12	1" Flat ESS
12	1" Flat Drive
12	1" and 1½" Angle
12	1½" CRD Angle
12	Punched Angle
13	Commercial Hanger Strap (Coil and Precut)
13	Duct Board Channels
13	Duct Saddles

Boots, Boxes, Stands and Accessories

13	Fresh Air Boxes
14	Duct Board Top Supply Boxes
14	Duct Board Top Return Air Boxes
14	Linear Diffuser Boxes and Grills
14	Copper Box
15	Furnace Stands and Bases
15	Nail Plates
15	Duct Board Flanges
15	Line Set Covers
16	Double-wall Turning Vane
16	Vane Rail
16	Blue Film
16	Butyl Gasket
16	Duct Sealer (DP, Fosters)

Miscellaneous

16	A-D Rooftop Condensor
----	-----------------------

Terms and Conditions of Sale

Freight Policy

All local orders in Texas (with exception of West Texas & The Valley), Oklahoma, and Southern Louisiana of \$1,500 or more are full freight allowed (FFA). Outlying areas require order values of \$5,000 for FFA. Orders that do not qualify for freight allowed are generally shipped best way with freight prepaid and added to the invoice. Drop shipments have a minimum order of \$2,500 and need to be within a 50-mile radius of your branch. Drop shipments more than a 50-mile radius requires a minimum order of \$5,000.

Orders tied to Metal Zinc's (MZ) weekly truck runs will require a \$1,500 value for free freight.

PO's for weekly truck runs are:

- Austin Wednesday delivery, PO by Thursday noon, of the previous week;
- Dallas Thursday delivery, PO by Friday noon, of the previous week;
- San Antonio Tuesday delivery, PO by Wednesday noon, of the previous week;
- South Louisiana, and Oklahoma Wednesday delivery, PO by Thursday noon, of the previous week.

On orders below \$1,500, a stop-over charge of \$150 will be applied to the invoice.

There is a \$5,000 minimum order on locations not listed above.

Minimum Orders

MZ has no minimum size requirements for an order.

Orders less than \$250 will be assessed a \$100 surcharge.

Add-ons require a new purchase order.

Credit Terms

Net 30.

Any invoice unpaid after the due date automatically places the account on hold, and no new purchases may be added to the account until the past due balance is paid in full.

Interest will be charged on past due accounts at a rate of 1% per month or the maximum rate allowed under Texas law (6% normally 18% on judgements).

All invoices are payable at the office of Metal Zinc PO Box 62628, Houston, TX 77205. EFT and ACH payments are accepted.

Return Goods

It is our aim that our customers be completely satisfied with our products. Products defective when delivered or products received damaged will either be replaced or credited at our option.

Products must be inspected, and MZ notified, within 48 hours of delivery to receive replacement products or credit. Photographs are required.

Order errors and over stock may be returned but may be subject to a 15% restocking fee depending on MZ's ability to resale.

Special order products may NOT be returned.

Products damaged through no fault of MZ are NOT returnable.

Return Merchandise Authorization (RMA) and Credit will be issued at the time product is returned to MZ.

Acceptance of Orders

All orders are subject to acceptance by our sales department. Orders for less than our standard packaging quantity will be increased to the standard quantity. Most standard packaging quantities are included on Product Data Sheets and our Price Sheet. If no quantities are listed, please call for packaging information.

Made to Order (MTO) items cannot be cancelled or modified once MZ has sent its Order Acknowledgement.

Pricing

All prices are based on specified carton quantities. Prices are subject to change without notice; however, where possible MZ will give a 60-day written notice.

Metal Zinc Mini Catalog

June 1, 2020



Snaplock Pipe



30 Gauge Pipe

Part Number	Gauge	Size A Inches	Bundle Quantity	Skid Quantity
SMP4-5-30	30	4 x 60	10	450
SMP5-5-30	30	5 x 60	10	450
SMP6-5-30	30	6 x 60	10	350
SMP7-5-30	30	7 x 60	10	300
SMP8-5-30	30	8 x 60	5	250
SMP9-5-30	30	9 x 60	5	200
SMP10-5-30	30	10 x 60	5	200
SMP12-5-30	30	12 x 60	5	75
SMP14-5-30	30	14 x 60	5	60

26 Gauge Pipe

Part Number	Gauge	Size A Inches	Bundle Quantity	Skid Quantity
SMP4-5	26	4 x 60	5	450
SMP5-5	26	5 x 60	5	450
SMP6-5	26	6 x 60	5	350
SMP7-5	26	7 x 60	5	300
SMP8-5	26	8 x 60	5	250
SMP9-5	26	9 x 60	5	200
SMP10-5	26	10 x 60	5	200
SMP12-5	26	12 x 60	5	75
SMP14-3	26	14 x 36	5	60
SMP16-3	26	16 x 36	5	55
SMP18-3	26	18 x 36	5	MTO
SMP20-3	26	20 x 36	5	MTO
SMP22-3	26	22 x 36	5	MTO
SMP24-3	26	24 x 36	5	MTO

Conductor Pipe



Adjustable Elbows



30 Gauge Elbows

Metal Zinc Part Number	Size A Inches	Tray Quantity	Pallet Quantity
SME3-90-30	3	64	2,048
SME4-90-30	4	36	1,152
SME5-90-30	5	25	550
SME6-90-30	6	16	320
SME7-90-30	7	12	240
SME8-90-30	8	9	180
SME9-90-30	9	6	96
SME10-90-30	10	5	80

26 Gauge Elbows

Metal Zinc Part Number	Size A Inches	Tray Quantity	Pallet Quantity
SME3-90	3	64	2,048
SME4-90	4	36	1,152
SME5-90	5	25	550
SME6-90	6	16	320
SME7-90	7	12	240
SME8-90	8	9	180
SME9-90	9	6	96
SME10-90	10	5	80
SME12-90	12	4	64
SME14-90	14	MTO	MTO
SME16-90	16	MTO	MTO

30 Gauge Pipe

Metal Zinc Part Number	Gauge	Size A Inches	Pallet Quantity
30-3-COND-P	30	3	224
30-4-COND-P	30	4	120

Order by pallet quantity only

26 Gauge Pipe

Metal Zinc Part Number	Gauge	Size A Inches	Pallet Quantity
26-3-COND-P	26	3	224
26-4-COND-P	26	4	120
26-5-COND-P	26	5	72

Order by pallet quantity only

Spiral Pipe



*Spiral Pipe is available for job quote. Please contact your local MZ rep for details and pricing.

Spiral Elbows



*Spiral Elbows are available for job quote. Please contact your local MZ rep for details and pricing.

High Pressure 90° 5-Gore Elbows



*Special Order Product

Diameter Inches	Gauge	Pallet Quantity
4	26	Made to Order
5	26	Made to Order
6	26	Made to Order
7	26	Made to Order
8	26	Made to Order
9	26	Made to Order
10	26	Made to Order
11	26	Made to Order
12	26	Made to Order
13	26	Made to Order
14	26	Made to Order
16	24	Made to Order
18	24	Made to Order

Metal Zinc Mini Catalog

June 1, 2020



High Pressure Reducers



Metal Zinc Part Number	Diameter B	Longitudinal Seam
HI-PR-RED-6	6	28
HI-PR-RED-8	8	28
HI-PR-RED-10	10	28
HI-PR-RED-12	12	28
HI-PR-RED-14	14	28
HI-PR-RED-16	16	26
HI-PR-RED-18	18	26
HI-PR-RED-20	20	24
HI-PR-RED-22	22	24
HI-PR-RED-24	24	24
HI-PR-RED-26	26	22
HI-PR-RED-28	28	22
HI-PR-RED-30	30	22

High Pressure Couplings



Metal Zinc Part Number	Diameter A	Gauge
HI-PR-COUP-6	6	26
HI-PR-COUP-8	8	26
HI-PR-COUP-10	10	26
HI-PR-COUP-12	12	26
HI-PR-COUP-14	14	26
HI-PR-COUP-16	16	26
HI-PR-COUP-18	18	26
HI-PR-COUP-20	20	24
HI-PR-COUP-22	22	24
HI-PR-COUP-24	24	24
HI-PR-COUP-26	26	22
HI-PR-COUP-28	28	22
HI-PR-COUP-30	30	22

High Pressure End Caps



Metal Zinc Part Number	Diameter A	Gauge
HI-PR-EC-6	6	26
HI-PR-EC-8	8	26
HI-PR-EC-10	10	26
HI-PR-EC-12	12	26
HI-PR-EC-14	14	26
HI-PR-EC-16	16	26
HI-PR-EC-18	18	26
HI-PR-EC-20	20	24
HI-PR-EC-22	22	24
HI-PR-EC-24	24	24
HI-PR-EC-26	26	22
HI-PR-EC-28	28	22
HI-PR-EC-30	30	22

Metal Zinc Mini Catalog

June 1, 2020

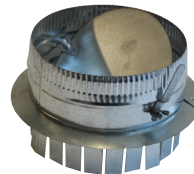


Duct Board Assembled Start Collars (R4-R8)



Metal Zinc Part Number	Size A Inches	Box/Tray Quantity	Pallet Quantity
DBSCAS04	4	95	1,140
DBSCAS05	5	45	540
DBSCAS06	6	45	540
DBSCAS07	7	25	300
DBSCAS08	8	25	300
DBSCAS09	9	15	180
DBSCAS010	10	15	180
DBSCAS012	12	12	144
DBSCAS014	14	9	108
DBSCAS016	16	5	60
DBSCAS018	18	5	60
DBSCAS020	20	5	60
DBSCAS022	22	5	60
DBSCAS024	24	5	60

Duct Board Assembled Start Collars with Damper (R4-R8)



Metal Zinc Part Number	Size A Inches	Box/Tray Quantity	Pallet Quantity
DBSCAS04-VD	4	76	912
DBSCAS05-VD	5	36	432
DBSCAS06-VD	6	36	432
DBSCAS07-VD	7	20	240
DBSCAS08-VD	8	20	240
DBSCAS09-VD	9	15	180
DBSCAS010-VD	10	15	180
DBSCAS012-VD	12	12	144
DBSCAS014-VD	14	9	108
DBSCAS016-VD	16	5	60
DBSCAS018-VD	18	5	60
DBSCAS020-VD	20	5	60
DBSCAS022-VD	22	5	60
DBSCAS024-VD	24	5	60

Sheetmetal Snap Together Start Collars



Part Number	Size A Inches	Bundle/Box Quantity	Pallet Quantity
SCSP04	4	10/20	400/1280
SCSP05	5	10/20	400/1280
SCSP06	6	10/20	360/1280
SCSP07	7	10/20	240/1280
SCSP08	8	10/20	240/1280
SCSP09	9	10/20	120/1280
SCSP10	10	10/20	120/1280
SCSP12	12	10/20	90/1280
SCSP14	14	5/10	90/640
SCSP16	16	5/10	90/640
SCSP18	18	5/10	90/640
SCSP20	20	5/10	90/640
SCSP22	22	5/10	90/640
SCSP24	24	5/10	90/640

Metal Zinc Mini Catalog

June 1, 2020



Sheetmetal Assembled Start Collars No Volume Damper



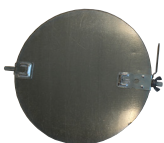
Part Number	Size A Inches	Box/Tray Quantity	Pallet Quantity
SCAS04	4	76	912
SCAS05	5	36	432
SCAS06	6	36	432
SCAS07	7	20	240
SCAS08	8	20	240
SCAS09	9	15	180
SCAS10	10	15	180
SCAS12	12	12	144
SCAS14	14	9	108
SCAS16	16	5	60
SCAS18	18	5	60
SCAS20	20	5	60
SCAS22	22	5	60
SCAS24	24	5	60

Sheetmetal Assembled Start Collars With Volume Damper



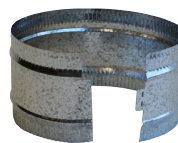
Part Number	Size A Inches	Box/Tray Quantity	Pallet Quantity
SCAS04-VD	4	76	912
SCAS05-VD	5	36	432
SCAS06-VD	6	36	432
SCAS07-VD	7	20	240
SCAS08-VD	8	20	240
SCAS09-VD	9	15	180
SCAS10-VD	10	15	180
SCAS12-VD	12	12	144
SCAS14-VD	14	9	108
SCAS16-VD	16	5	60
SCAS18-VD	18	5	60
SCAS20-VD	20	5	60
SCAS22-VD	22	5	60
SCAS24-VD	24	5	60

Economy Damper Blades



Metal Zinc Part Number	Size Inches	Box Quantity	Pallet Quantity
DBR04KIT	4	100	7,200
DBR05KIT	5	100	3,600
DBR06KIT	6	50	3,600
DBR07KIT	7	50	3,600
DBR08KIT	8	50	3,600
DBR09KIT	9	50	3,600
DBR10KIT	10	50	3,600
DBR12KIT	12	40	2,800
DBR14KIT	14	10	750
DBR16KIT	16	10	750
DBR18KIT	18	10	750

Flex Duct Connectors



Metal Zinc Part Number	Size A Inches	Bundle/Box Quantity	Pallet Quantity
FDC04	4	10/20	4,000
FDC05	5	10/20	4,000
FDC06	6	10/20	3,600
FDC07	7	10/20	2,400
FDC08	8	10/20	2,400
FDC09	9	10/20	1,200
FDC10	10	10/20	1,200
FDC12	12	10/20	900
FDC14	14	5/10	450
FDC16	16	5/10	450
FDC18	18	5/10	450
FDC20	20	5/10	450
FDC22	22	5/10	450
FDC24	24	5/10	450

Metal Zinc Mini Catalog

June 1, 2020



Heavy Duty Press On Tap with Damper (Airtight)



Metal Zinc Part Number	Size A Inches	Row Qty	Pallet Qty
SF0005-EE	4	MTO	MTO
SF0030-EE	6	30	360
SF0050-EE	8	20	240
SF0070-EE	10	12	144
SF0080-EE	12	9	144
SF0090-EE	14	6	90
SF0100-EE	16	6	90

Economy Press On Tap with Damper (Airtight)



Metal Zinc Part Number	Size A Inches	Row Qty	Pallet Qty
SF0010	4	MTO	MTO
SF0020	5	MTO	360
SF0030	6	30	360
SF0040	7	MTO	240
SF0050	8	20	240
SF0060	9	MTO	144
SF0070	10	12	144
SF0080	12	12	144
SF0090	14	9	90
SF00100	16	9	90
SF00110	18	6	60

Press On Tap No Damper (Airtight)



3" Tall Part #	6" Tall Part #	Size A Inches	Row Qty	Pallet Qty
SF0005	SF0008	4	MTO	MTO
N/A	SF0018	5	MTO	MTO
SF0025	SF0028	6	30	360
N/A	SF0038	7	MTO	MTO
SF0045	SF0048	8	20	240
N/A	SF0058	9	MTO	MTO
SF0065	SF0068	10	12	144
SF0075	SF0078	12	12	144
SF0085	SF0088	14	9	90
SF0095	SF0098	16	9	90
N/A	SF0108	18	6	60
N/A	SF0118	20	6	60

Heavy Duty Spin In Tap with Damper



Metal Zinc Part Number	Size A Inches	Row Qty	Pallet Qty
SF0005-SI-EE	4	MTO	MTO
SF0030-SI-EE	6	30	300
SF0050-SI-EE	8	20	200
SF0070-SI-EE	10	12	120
SF0080-SI-EE	12	12	120
SF0090-SI-EE	14	9	90
SF0100-SI-EE	16	9	90

Economy Spin In Tap with Damper



Metal Zinc Part Number	Size A Inches	Row Qty	Pallet Qty
SF0005-SI-VD	4	MTO	MTO
SF0030-SI-VD	6	30	300
SF0050-SI-VD	8	20	200
SF0070-SI-VD	10	12	120
SF0080-SI-VD	12	12	120
SF0090-SI-VD	14	9	90
SF0100-SI-VD	16	9	90

Spin In Tap No Damper



Metal Zinc Part Number	Size A	Row Qty	Pallet Qty
SF0005-SI	4	MTO	MTO
SF0030-SI	6	30	300
SF0050-SI	8	20	200
SF0070-SI	10	12	120
SF0080-SI	12	12	120
SF0090-SI	14	9	90
SF0100-SI	16	9	90

Metal Zinc Mini Catalog

June 1, 2020



Bellmouth Tap



Metal Zinc Part Number	Size A Inches	Row Quantity	Pallet Quantity
SF0355-(EE/VD)	4	MTO	MTO
SF0375-(EE/VD)	6	20	360
SF0395-(EE/VD)	8	16	288
SF0415-(EE/VD)	10	12	216
SF0425-(EE/VD)	12	8	144
SF0435-(EE/VD)	14	6	108
SF0445-(EE/VD)	16	MTO	MTO

- Heavy Duty with Damper (EE)
- Economy with Damper (VD)
- Without Damper

Heavy Duty Press On Conical Tap with Damper



Metal Zinc Part Number	Size A Inches	Bundle Quantity	Pallet Quantity
SF0775-EE	4	30	210
SF0785-EE	6	16	112
SF0795-EE	8	12	84
SF0805-EE	10	10	70
SF0810-EE	12	8	56
SF0845-EE	14	5	35
SF0823-EE	16	5	35

Economy Press On Conical Tap with Damper



Metal Zinc Part Number	Size A Inches	Bundle Quantity	Pallet Quantity
SF0775-VD	4	30	210
SF0785-VD	6	16	112
SF0795-VD	8	12	84
SF0805-VD	10	10	70
SF0810-VD	12	8	56
SF0845-VD	14	5	35
SF0823-VD	16	5	35

Press On Conical Tap No Damper



Metal Zinc Part Number	Size A Inches	Row Quantity	Pallet Quantity
SF0775	4	30	210
SF0785	6	16	112
SF0795	8	12	84
SF0805	10	10	70
SF0810	12	8	56
SF0845	14	5	35
SF0823	16	5	35

Metal Zinc Mini Catalog

June 1, 2020



HETO with Heavy Duty Damper



Metal Zinc Part Number	Size A Inches	Row Qty	Pallet Qty
SF1055-EE	4	20	120
SF1065-EE	6	16	96
SF1075-EE	8	16	96
SF1085-EE	10	12	72
SF1090-EE	12	9	54
SF1095-EE	14	8	48
SF1100-EE	16	5	30

HETO with Economy Damper



Metal Zinc Part Number	Size A Inches	Row Qty	Pallet Qty
SF1055-VD	4	20	120
SF1065-VD	6	16	96
SF1075-VD	8	16	96
SF1085-VD	10	12	72
SF1090-VD	12	9	54
SF1095-VD	14	8	48
SF1100-VD	16	5	30

HETO No Damper



Metal Zinc Part Number	Size A Inches	Row Qty	Pallet Qty
SF1056	4	20	120
SF1066	6	16	96
SF1076	8	16	96
SF1086	10	12	72
SF1091	12	9	54
SF1096	14	8	48
SF1101	16	5	30

STO with Heavy Duty Damper



Metal Zinc Part Number	Size A Inches	Row Qty	Pallet Qty
SF2055-EE	4	20	120
SF2065-EE	6	16	96
SF2075-EE	8	16	96
SF2085-EE	10	12	72
SF2090-EE	12	9	54
SF2095-EE	14	8	48
SF2100-EE	16	5	30

STO with Economy Damper



Metal Zinc Part Number	Size A Inches	Row Qty	Pallet Qty
SF2055-VD	4	20	120
SF2065-VD	6	18	96
SF2075-VD	8	16	96
SF2085-VD	10	12	72
SF2090-VD	12	9	54
SF2095-VD	14	8	48
SF2100-VD	16	5	30

STO No Damper



Metal Zinc Part Number	Size A Inches	Row Qty	Pallet Qty
SF2056	4	20	120
SF2066	6	16	96
SF2076	8	16	96
SF2086	10	12	72
SF2091	12	9	54
SF2096	14	8	48
SF2101	16	5	30

Metal Zinc Mini Catalog

June 1, 2020

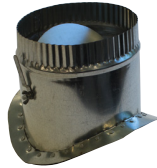


Saddle Tap with Heavy Duty Damper Damper



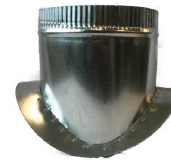
Metal Zinc Part Number	Size A Inches	Row Qty	Pallet Qty
SF2055-EE	4	20	120
SF2065-EE	6	16	96
SF2075-EE	8	16	96
SF2085-EE	10	12	72
SF2090-EE	12	9	54
SF2095-EE	14	8	48
SF2100-EE	16	5	30

Saddle Tap with Economy Damper



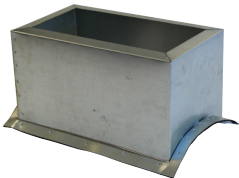
Metal Zinc Part Number	Size A Inches	Row Qty	Pallet Qty
SF2055-VD	4	20	120
SF2065-VD	6	18	96
SF2075-VD	8	16	96
SF2085-VD	10	12	72
SF2090-VD	12	9	54
SF2095-VD	14	8	48
SF2100-VD	16	5	30

Saddle Tap No Damper



Metal Zinc Part Number	Size A Inches	Row Qty	Pallet Qty
SF2056	4	20	120
SF2066	6	16	96
SF2076	8	16	96
SF2086	10	12	72
SF2091	12	9	54
SF2096	14	8	48
SF2101	16	5	30

Rectangle on Round Tap (Grill Tap)



METAL ZINC Part Number	Size Inches	Gauge	Bundle Qty	Pallet Qty
HI-PR-GRTP-843-PG-1IN	8 x 4 x 3	26	NA	MTO
HI-PR-GRTP-1063-PG-1IN	10 x 6 x 3	26	NA	MTO
HI-PR-GRTP-1263-PG-1IN	12 x 6 x 3	26	NA	MTO
HI-PR-GRTP-1463-PG-1IN	14 x 6 x 3	26	NA	MTO
HI-PR-GRTP-846-PG-1IN	8 x 4 x 6	26	NA	MTO
HI-PR-GRTP-1066-PG-1IN	10 x 6 x 6	26	NA	MTO
HI-PR-GRTP-1266-PG-1IN	12 x 6 x 6	26	NA	MTO
HI-PR-GRTP-1466-PG-1IN	14 x 6 x 6	26	NA	MTO

Heavy Duty Inline Damper



Metal Zinc Part Number	Size A Inches	Row Quantity	Pallet Quantity
SF3995-EE	4	30	300
SF4000-EE	6	30	300
SF4010-EE	8	20	200
SF4020-EE	10	12	120
SF4030-EE	12	12	120
SF4040-EE	14	9	90
SF4050-EE	16	9	90

Metal Zinc Mini Catalog

June 1, 2020



Dual Filter Return Air Plenums



Metal Zinc Part Number	Size A, B, C Inches	Pallet Qty	Metal Zinc Part Number	Size A, B, C Inches	Pallet Qty
DFP162030-R6-1-1	16 x 20 x 30	12	DFP161535-R6-1-1	16 x 25 x 35	8
DFP162530-R6-1-1	16 x 25 x 30	12	DFP202035-R6-1-1	20 x 20 x 35	8
DFP202030-R6-1-1	20 x 20 x 30	12	DFP202535-R6-1-1	20 x 25 x 35	8
DFP202530-R6-1-1	20 x 25 x 30	12	DFP252035-R6-1-1	25 x 20 x 35	8
DFP252030-R6-1-1	25 x 20 x 30	12	DFP162547-R6-1-1	16 x 25 x 47	8
DFP322030-R6-1-1	32 x 20 x 30	12	DFP202047-R6-1-1	20 x 20 x 47	8
DFP322530-R6-1-1	32 x 25 x 30	12	DFP202547-R6-1-1	20 x 25 x 47	8
			DFP252047-R6-1-1	25 x 20 x 47	8

Dual Filter Box



Metal Zinc Part Number	Size A x B x C	Pallet Quantity
DFB1620-R6	16 x 20 x 12	24
DFB1625-R6	16 x 25 x 12	24
DFB2020-R6	20 x 20 x 12	24
DFB2025-R6	20 x 25 x 12	24

Dual Filter Rack



Metal Zinc Part Number	Size A x B x C	Pallet Quantity
DFR1620-R6	16 x 20 x 12	24
DFR1625-R6	16 x 25 x 12	24
DFR2020-R6	20 x 20 x 12	24
DFR2025-R6	20 x 25 x 12	24
DFR3220-R6	32 x 20 x 12	12
DFR3225-R6	32 x 25 x 12	12

Plenums & Transitions



Description

Metal Zinc's return and supply plenums & transitions are specially built to job requirements, equipment specifications or customer needs.

Features

- Quantity and size based on plenum quotes developed
- Multiple in/out sizes and lengths available
- "Tested Tight" construction
- Two-piece, three-piece (with cap), four piece, or five piece (with cap) construction
- Individually belly banded and sold in pallets of 15, 20 or 40
- Insulated to R4, R6 and R8 specifications or un-insulated

Standard Construction

- 26-gauge galvanized steel ASTM A653
- ½", 1" and without flanges available

Optional Construction

- 30-gauge galvanized steel
- Boxed
- Second end cap available on plenums

Metal Zinc Mini Catalog

June 1, 2020

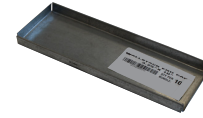


Metal Triangles



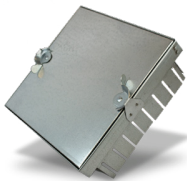
Metal Zinc Part Number	Size A, B, C Inches	Box Quantity	Pallet Quantity
TRI14X14X14-R0	14 x 14 x 14	5	MTO
TRI16X16X16-R0	16 x 16 x 16	5	MTO
TRI20X20X20-R0	20 x 20 x 20	5	MTO
TRI14X14X14-R6	14 x 14 x 14	5	MTO
TRI16X16X16-R6	16 x 16 x 16	5	MTO
TRI20X20X20-R6	20 x 20 x 20	5	MTO
TRI14X14X14-R8	14 x 14 x 14	5	MTO
TRI16X16X16-R8	16 x 16 x 16	5	MTO
TRI20X20X20-R8	20 x 20 x 20	5	MTO

Wall Stacks and Caps



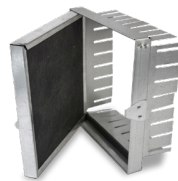
Metal Zinc Part Number	A x B	Length	Flange Out	Pallet Qty
WLSTK325x10x24	3.25 x 10	24"	None	100
WLSTK325x10x36	3.25 x 10	36"	None	100
WLSTK325x10x48	3.25 x 10	48"	None	100
WLSTK325x10x60	3.25 x 10	60"	None	100
WLSTKEC32510	3.25 x 10	.5"	Cap	3200

Duct Board Access Door



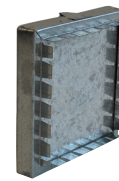
Metal Zinc Part Number	Size A x B Inches	Bundle Quantity	Pallet Quantity
AD0010-DB	6 x 6	6	TBD
AD0020-DB	8 x 8	6	720
AD0030-DB	10 x 10	6	396
AD0040-DB	12 x 12	6	294
AD0050-DB	14 x 14	6	TBD
AD0060-DB	16 x 16	6	TBD
AD0070-DB	18 x 18	6	TBD
AD0080-DB	20 x 20	6	TBD
AD0100-DB	22 x 22	6	TBD
AD0110-DB	24 x 24	6	TBD

Economy Duct Board Access Door



Metal Zinc Part Number	Size A x B Inches	Bundle Quantity	Pallet Quantity
AD0010-DB-EC	6 x 6	6	TBD
AD0020-DB-EC	8 x 8	6	720
AD0030-DB-EC	10 x 10	6	396
AD0040-DB-EC	12 x 12	6	294
AD0050-DB-EC	14 x 14	6	TBD

Sheet Metal Access Door



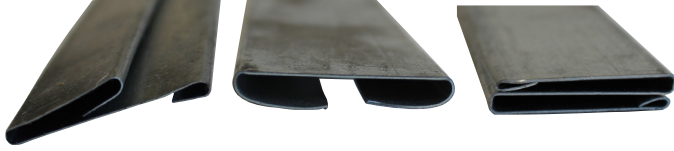
Metal Zinc Part Number	Size A x B Inches	Bundle Quantity	Pallet Quantity
AD0010-TB	6 x 6	10	TBD
AD0020-TB	8 x 8	10	720
AD0030-TB	10 x 10	10	396
AD0040-TB	12 x 12	10	294
AD0050-TB	14 x 14	10	TBD
AD0060-TB	16 x 16	10	TBD
AD0070-TB	18 x 18	10	TBD
AD0080-TB	20 x 20	10	TBD
AD0100-TB	22 x 22	10	TBD
AD0110-TB	24 x 24	10	TBD

Metal Zinc Mini Catalog

June 1, 2020



Boot Rail, C-Rail, S-Clip



Metal Zinc Part Number	Product	Gauge	Size (in)	Bundle Qty	Pallet Qty
30-BR-25	Boot Rail	30	25"	60	3,000
26-BR-25	Boot Rail	26	25"	60	3,000
30-BR-30	Boot Rail	30	30"	60	3,000
30-BR-36	Boot Rail	30	36"	60	3,000
26-CRAIL-26	C Rail	26	26"	60	3,000
26-S-CLIP-28	S Clip	26	28"	60	3,000

1" Standing ESS



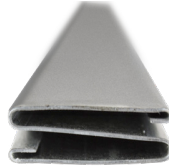
Metal Zinc Part Number	Length Feet	Gauge	Bundle Qty	Pallet Quantity
EG0855	10	20	10	750
EG0900	10	22	10	750
EG0920	10	24	10	750
EG0935	10	26	10	750

1" Standing Drive



Metal Zinc Part Number	Length Feet	Gauge	Bundle Qty	Pallet Qty
EG0945	10	22	10	750
EG0950	10	24	10	750
EG0955	10	26	10	750

1" Flat ESS



Metal Zinc Part Number	Length Feet	Gauge	Bundle Qty	Pallet Qty
EG0912	10	22	10	1,000
EG0915	10	24	10	1,000
EG0930	10	26	10	1,000

1" Flat Drive



Metal Zinc Part Number	Length Feet	Gauge	Bundle Qty	Pallet Quantity
EG0908	10	22	10	1,500
EG0910	10	24	10	1,500
EG0925	10	26	10	1,500
EG0932	10	28	10	1,500

1" and 1.5" Angle



Metal Zinc Part Number	Length In.	Gauge	Bundle Qty	Pallet Qty
24-1x1x120-ANG	1 x 1 x 120	24	30	3,000
24-1.5x1.5x120-ANG	1.5 x 1.5 x 120	24	30	3,000
20-1.5x1.5x120-ANG	1.5 x 1.5 x 120	20	10	1,500

1.5" CRD Angle



Metal Zinc Part Number	Length inches	Gauge	Bundle Qty	Pallet Quantity
22-CRD-30	30	22	30	3,000
16-CRD-30	30	16	30	3,000

Punched Angle



Metal Zinc Part Number	Length Feet	Bundle Quantity	Pallet Quantity
EG0645	10	10	500
EG0645-144	12	10	500
EG0645-240	20	10	500

Metal Zinc Mini Catalog

June 1, 2020



Commercial Hanger Strap



Metal Zinc Part Number	Length Foot	Gauge	Bundle Quantity	Pallet Quantity
HS16150-COIL	1" x 50LB	16	NA	20
HS18150-COIL	1" x 50LB	18	NA	20
HS20150-COIL	1" x 50LB	20	NA	20
HS201100-COIL	1" x 100LB	20	NA	10
HS22150-COIL	1" x 50LB	22	NA	20
HS221550-COIL	1.5" x 50LB	22	NA	20
HS161120	1" x 120"	16	10	1,000
HS16160	1" x 60"	16	10	2,000
HS181120	1" x 120"	18	10	1,000
HS18160	1" x 60"	18	10	2,000
HS201120	1" x 120"	20	10	1,000
HS20160	1" x 60"	20	10	2,000

Duct Board Channels



Metal Zinc Part Number	Dimensions Inches	Length Foot	Gauge	Bundle Quantity	Pallet Quantity
DBCHAN141120-26	1" x 4" x 1"	10'	26	10	500
DBCHAN121120-26	1" x 2" x 1"	10'	26	10	500
DBCHAN121120-22	1" x 2" x 1"	10'	22	10	500

Duct Saddles



Metal Zinc Part Number	Length A & B	Gauge	Bundle Quantity	Pallet Quantity
DSADDLE30	30" x 5½"	28	30	3,000
DSADDLE20	20" x 5½"	28	30	3,000

Fresh Air Boxes



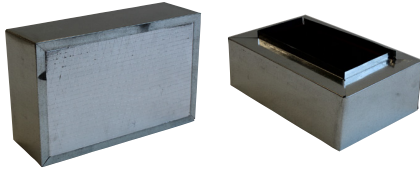
Metal Zinc Part Number	Size (In.) AXA-B	Gauge	Bundle Quantity	Pallet Quantity
OA10x10-6	10X10-6"RD	26	10	200
OA10x10-6-R6	10X10-6"RD-R6 INS	26	10	200
OA10x10-8	10X10-8"RD	26	10	200
OA10x10-8-R6	10X10-8"RD-R6 INS	26	10	200
OA10x10-DB	10X10-DB TOP	26	10	200
OA12x12-6	12X12-6"RD	26	10	200
OA12x12-6-R6	12X12-6"RD-R6 INS	26	10	200
OA12x12-8	12X12-8"RD	26	10	200
OA12x12-8-R6	12X12-8"RD-R6 INS	26	10	200
OA12x12-DB	12X12- DB TOP	26	10	200

Metal Zinc Mini Catalog

June 1, 2020

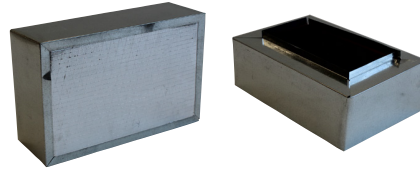


Duct Board Top Supply Air Boxes - R6



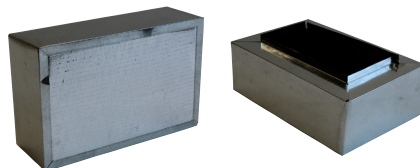
Metal Zinc Product Number	Size In.	Bundle Quantity	Pallet Quantity
DBBX66-R6	6 x 6	5	500
DBBX84-R6	8 x 4	5	480
DBBX86-R6	8 x 6	5	400
DBBX88-R6	8 x 8	5	320
DBBX106-R6	10 x 6	5	350
DBBX108-R6	10 x 8	5	280
DBBX1010-R6	10 x 10	5	210
DBBX126-R6	12 x 6	5	300
DBBX128-R6	12 x 8	5	240
DBBX1212-R6	12 x 12	5	180
DBBX146-R6	14 x 6	5	250
DBBX148-R6	14 x 8	5	200
DBBX1414-R6	14 x 14	5	180
DBBX166-R6	16 x 6	5	200

Duct Board Top Return Air Boxes - R6



Metal Zinc Product Number	Size	Bundle Quantity	Pallet Quantity
DBBX1010-R6	10" x 10"	5	210
DBBX1212-R6	12" x 12"	5	180
DBBX1224-R6	12" x 24"	5	90
DBBX1236-R6	12" x 36"	5	90
DBBX1420-R6	14" x 20"	5	80
DBBX1425-R6	14" x 25"	5	60
DBBX1430-R6	14" x 30"	5	60
DBBX1620-R6	16" x 20"	5	80
DBBX1625-R6	16" x 25"	5	60
DBBX2020-R6	20" x 20"	5	80
DBBX2025-R6	20" x 25"	5	60
DBBX2030-R6	20" x 30"	5	60
DBBX2424-R6	24" x 24"	5	60
DBBX2436-R6	24" x 36"	5	60

Duct Board Top Return Air Boxes - R4



Metal Zinc Product Number	Size	Bundle Quantity	Pallet Quantity
DBBX1010-R4	10" x 10"	5	210
DBBX1212-R4	12" x 12"	5	180
DBBX1224-R4	12" x 24"	5	90
DBBX1236-R4	12" x 36"	5	90
DBBX1420-R4	14" x 20"	5	80
DBBX1425-R4	14" x 25"	5	60
DBBX1430-R4	14" x 30"	5	60
DBBX1620-R4	16" x 20"	5	80
DBBX1625-R4	16" x 25"	5	60
DBBX2020-R4	20" x 20"	5	80
DBBX2025-R4	20" x 25"	5	60
DBBX2030-R4	20" x 30"	5	60
DBBX2424-R4	24" x 24"	5	60
DBBX2436-R4	24" x 36"	5	60

Linear Diffuser Boxes and Grills



Description

Metal Zinc's Linear Diffuser Box is designed to fit with various sizes of grills and supply ducting to maximize air flow.

Features

- Built for job specification
- 1" insulation
- "Tested Tight" for minimum leakage

Standard Construction

- 24-gauge galvanized steel ASTM A653
- Steel and aluminum slot diffusers available with multiple slot sizes and numbers

Optional Construction

- Diffusers available in 1' through 8' sections
- Diffusers/Grills are 1 and 2 slots in 1/2", 3/4" and 1" width
- Oval damper with remote operation
- Collar opening offered in left, right and center

Metal Zinc Mini Catalog

June 1, 2020

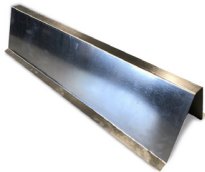


Copper Box



Metal Zinc Product Number	Size	Gauge	Bundle Quantity	Pallet Quantity
COPBX128	12" x 8"	26	12	240

Furnace Stands and Bases



Part Number	A,B,C Inches	Gauge	Bundle Qty	Pallet Qty
FS244	24 x 6 x 4	20	10	120
FSB244	24 x 6 BASE	26	10	120
FS244EC	24 x 6 x 4*	28	10	120
FSS246	24 x 8 x 6	20	10	120
FSB246	24 x 8 BASE	26	10	120
FS246EC	24 x 8 x 6*	28	10	120
FS304	30 x 6 x 4	20	10	120
FSB304	30 x 6 BASE	26	10	120
FS304EC	30 x 6 x 4*	28	10	120
FS306	30 x 8 x 6	20	10	120
FSB306	30 x 8 BASE	26	10	120
FS306EC	30 x 8 x 6*	28	10	120
FS309	30 x 14 x 9	20	10	120
FSB309	30 x 14 BASE	26	10	120

Duct Board Flanges



Metal Zinc Part Number	Length Feet	Gauge	Bundle Qty	Pallet Qty
RAFLG14-1.5	14" x 1.5"	26	200	NA
RAFLG16-1.5	16" x 1.5"	26	200	NA
RAFLG24-1.5	24" x 1.5"	26	200	NA
RAFLG25-1.5	25" x 1.5"	26	200	NA
RAFLG30-1.5	30" x 1.5"	26	200	NA

Nail Plates



Description

Metal Zinc's Nail Plates allow multiple hole patters for hammering into adjacent wood structures.

Features

Any hole pattern chosen by contractor is available
Multiple sizes available and additional size options made-to-order.

Banded together for efficient handling

Standard Construction

Manufactured from 16-gauge galvanized steel

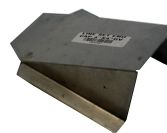
Optional Construction

Special hole patterns
Special sizes



Line Set Covers

Product Number	Size	Bundle Qty	Pallet Qty
LNST444120-GV	4"x 4"x 4"x120"	5	NA
LNST44496-GV	4"x4"x4"x96"	5	NA



Line Set Caps

Product Number	Size	Bundle Qty	Pallet Qty
LNSTEC44-GV	4"x4"x.5"	5	NA

Metal Zinc Mini Catalog

June 1, 2020

Double Wall Turning Vane



Metal Zinc Product Number	Size Inches	Bundle Quantity	Pallet Quantity
TVDBWL4120-GV	4	5	100

Blue Film



Metal Zinc Product Number	Size Roll (Ft)	Pallet Quantity
BDFILM24200	2' x 200'	200
BDFILM36200	3' x 200'	100

Vane Rail



Metal Zinc Product Number	Size Inches	Bundle Quantity	Pallet Quantity
TVRAIL4120-GV	4 x 120	10	100

Butyl Gasket



Metal Zinc Product Number	Size Roll (Ft)	Roll/Box	Box/Pallet
BGASKET5831625	5/8" x 3/16" x 25'	20	48



Design Polymeric "DP 1030" Duct Sealant

Description

A fiber reinforced, water based, premium quality, UL listed 181A-M/B-M, high velocity duct sealant for commercial and residential supply and return air duct use.



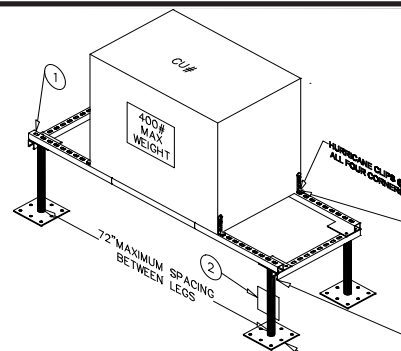
Foster's® Safetee® Duct Sealant "PDS-32-17" & "PDS-32-14"

Description

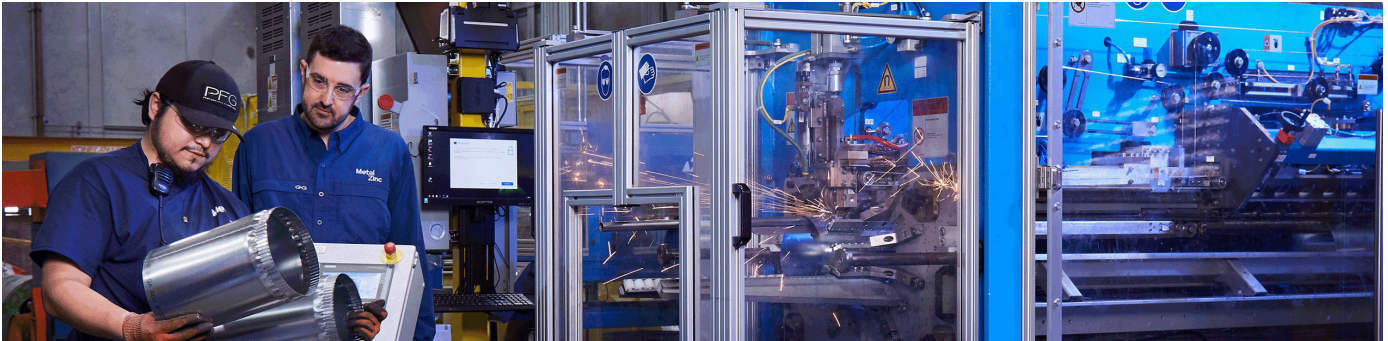
Foster's® Safetee® Duct Sealant is a fire-resistive, fibrated water based, indoor/outdoor vapor barrier sealant for low, medium and high velocity heating and air conditioning ducts.

Rooftop Condenser Stands

Product Number	Size In.	Bundle Qty	Pallet Qty
CNDSRSTANDLEG-18	18"	MTO	MTO
CNDSRSTANDLEG-24	24"	MTO	MTO
CNDSRSTANDLEG-30	30"	MTO	MTO



Meet The MZ Team!



President **Ryan Walsh**
rwalsh@metalzincmfg.com

Vice President **Andrew Yost**
ayost@metalzincmfg.com

Sales & Marketing **Chuck Russ**
cruss@metalzincmfg.com
(281) 630-0224

Want to take a tour? **Contact Us**
Metal Zinc, LLC.
19408 Kenswick Drive
Houston, TX 77338
(281) 252-9116 x 408